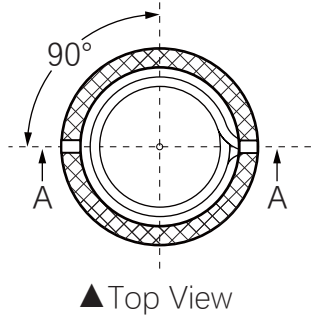
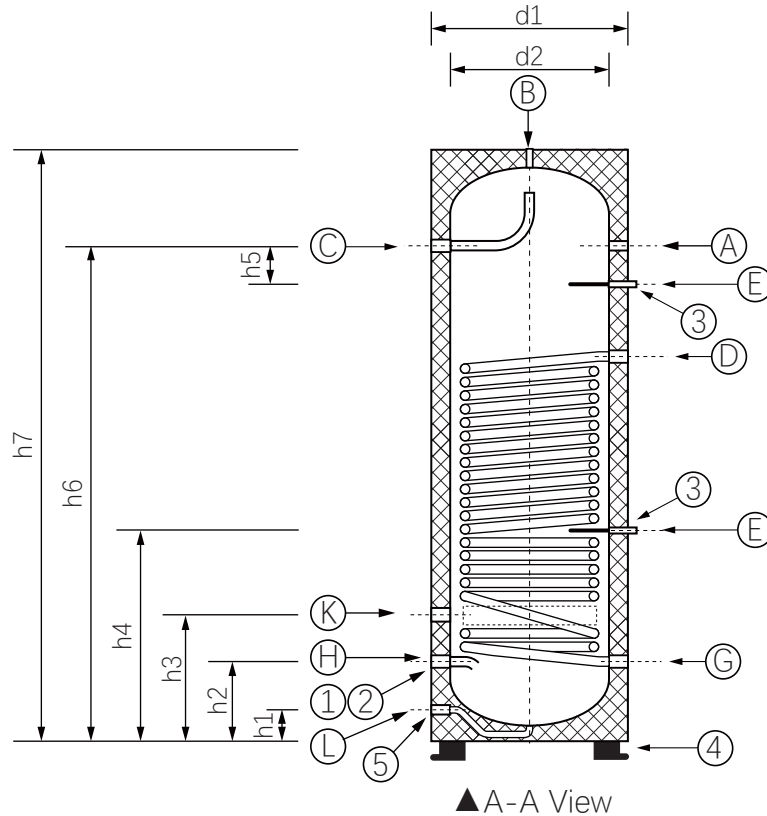


Water Tank NORWIAN MWT-200/C, 300/C



Size	MWT-200/C	MWT-300/C
h1	85mm	85mm
h2	225mm	225mm
h3	375mm	375mm
h4	705mm	705mm
h5	100mm	100mm
h6	1345mm	1345mm
h7	1572mm	1572mm
d1	Ø520mm	Ø600mm
d2	Ø420mm	Ø500mm



Model		MWT-200/C	MWT-300/C
Nominal capacity		200L	300L
Casing	Material	White	White
	Cap	Black	Black
	Diameter	Ø520	Ø600
Insulation		50mm	50mm
Inner tank	Material	Duplex inox	Duplex inox
	Diameter	Ø420	Ø500
Coil	Type	Corrugated	Corrugated
	Material	SUS316L	SUS316L
	Diameter	Ø25	Ø25
	Length	20 m	30m
	Area	2m ²	3m ²
Connection		G1"-F	G1"-F
Max. pressure		8bar	8bar
Max. temperature		85°C	85°C
Packing		Carton	Carton

No.	Connection Name	Qty	Spec
A	For T/P valve	1	G3/4"-F
B	For air vent	1	G1/2"-F
C	Hot water out	1	G1"-F
D	Heat exchanger coil inlet	1	G1"-F
E	Sensor tube	2	G3/8"-F
G	Heat exchanger coil outlet	1	G1"-F
H	Cold water inlet	1	G1"-F
K	For electric heater	1	G1-1/2"-F
L	Drainage	1	G1/2"-F

No.	Part Name	Qty	Spec
1	Adaptor	1	1" to 3/4"
2	Safety valve	1	3/4"
3	Sensor sleeve	2	3/8" or 1/2"
4	Plastic feet	3	3cm
5	Plug	1	1/2" SUS304#